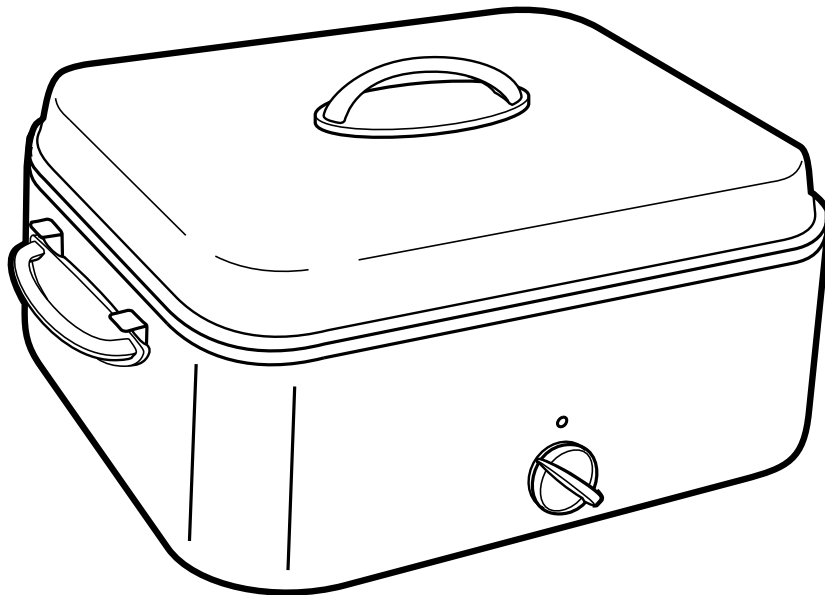




Roaster Oven



Roaster Oven Safety	2	Roasting Chart	5
Parts & Features.....	3	Cleaning Your Roaster Oven.....	6
Using Your Roaster Oven.....	3	Recipes.....	7
Roasting	4	Customer Assistance	16

For Customer Assistance Please Call: 1-877-207-0923

Roaster Oven Safety

IMPORTANT SAFEGUARDS

When using electrical appliances, basic safety precautions should always be followed, including the following:

1. Read all instructions.
2. Do not touch hot surfaces. Use handles or knobs.
3. Use oven mitts to remove the insert pan from the roaster oven; or to remove a baking pan or cooked food from the insert pan.
4. To protect against electrical shock do not immerse roaster base, cord, or plug in water or other liquid.
5. Close supervision is necessary when any appliance is used by or near children.
6. Unplug from outlet when not in use and before cleaning. Allow to cool before putting on or taking off parts and before cleaning.
7. Do not operate any appliance with a damaged cord or plug, or after the appliance malfunctions or has been dropped or damaged in any manner. Call our toll-free customer assistance number for information on examination, repair or electrical or mechanical adjustment.
8. Do not use outdoors.
9. The use of accessory attachments not recommended by the appliance manufacturer may cause injuries.
10. Do not let cord hang over edge of table or counter, or touch hot surfaces, including the stove.
11. To disconnect, turn any control to "Off" then remove plug from wall outlet.
12. Do not place on or near a hot gas or electric burner, or in a heated oven.
13. Extreme caution must be used when moving an appliance containing hot oil or other hot liquids.
14. **CAUTION:** Steam escaping from under cover is hot and can burn.
15. Do not use without the insert pan specifically designed for this model.
16. Do not use appliance to melt wax or any other non-food use.
17. Do not allow flammable materials such as curtains, draperies, walls, cabinets, back-splashes and the like to touch any part of the roaster oven while it is in operation.
18. **Do not use appliance for other than intended use.**

SAVE THESE INSTRUCTIONS!

Consumer Safety Information

This roaster oven is not intended for commercial, professional, or industrial type usage. This roaster oven is designed only for cooking food. It should not be used for melting wax. This appliance is designed, built, and intended for household use only.

This appliance is equipped with a polarized plug. This type of plug has one blade wider than the other. The plug will fit into an electrical outlet only one way. This is a safety feature intended to help reduce the risk of electrical shock. If you are unable to insert the plug into the outlet, try reversing the plug. If the plug should still fail to fit, contact a qualified electrician to replace the obsolete outlet. Do not attempt to defeat

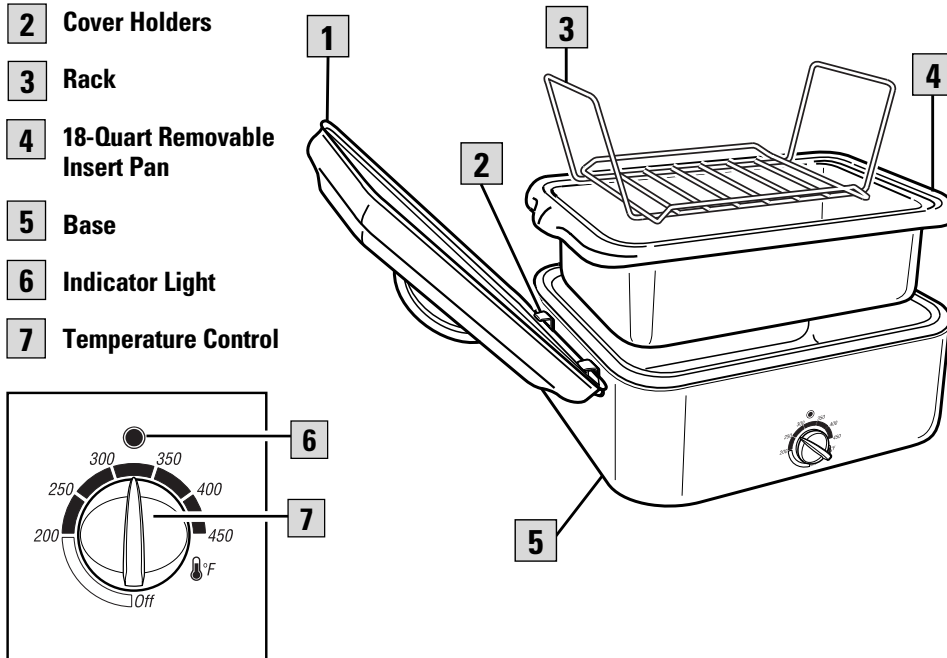
the safety purpose of the polarized plug by modifying the plug in any way.

The length of the cord used on this appliance was selected to reduce the hazards of becoming tangled in, or tripping over a longer cord. If a longer cord is necessary an approved extension cord may be used. The electrical rating of the extension cord must be equal to or greater than the rating of the roaster oven. Care must be taken to arrange the extension cord so that it will not drape over the countertop or tabletop where it can be pulled on by children or accidentally tripped over.

Please read this book! The roaster oven cooks some foods faster than a conventional oven.

Parts & Features

- 1** Cover
- 2** Cover Holders
- 3** Rack
- 4** 18-Quart Removable Insert Pan
- 5** Base
- 6** Indicator Light
- 7** Temperature Control



Using Your Roaster Oven

Before First Use: Wash the insert pan, rack, and cover before using. During the first use of the roaster oven, some smoke and odor may be noticed. The smoke and odor should not occur after this first heating of the oven.

Notes About Your Roaster Oven

- The insert pan must always be used when cooking in the roaster oven. If cooking large quantities of soups or stews, the insert pan may be used as the cooking pan in the roaster base. It may also be used as a large roasting pan in the roaster base.
- Do not use the insert pan as a baking pan or casserole dish for cakes, breads, or casseroles. A separate pan must be placed in the insert pan when cooking these foods.
- Most heat-resistant glass casserole dishes fit in the roasting oven. Place in insert pan before filling dish to make sure it fits.
- Baking pans and casserole dishes should be placed on the rack for best heat circulation. If necessary, the rack can be removed to fit a large roasting pan or two casseroles in the roaster oven.
- Before baking or roasting in the roaster oven, make sure the pan or dish you plan to use will fit by placing it in the insert pan.

Following are pan sizes which will fit in the roaster oven:

- One 9- x 13-inch baking or 10- x 14-inch roasting pan
- Two 9- x 5-inch or 8- x 4-inch loaf pans
- One tube or bundt pan

- Foil oven roasting bags can be used in the roaster oven. We do not recommend using plastic oven roasting bags in the roaster oven.
- Do not remove the cover of the roaster oven unless necessary. Removing the cover allows heat to escape and affects the temperature of the roaster oven.
- The indicator light will cycle on and off when the oven is heating to maintain set temperature.

How to Use**Notes:**

- The insert pan should always be placed in the roaster base when cooking.
- If the recipe calls for a preheated oven, set the temperature control to desired temperature. The red indicator light will go out when the oven has reached the set temperature.

1. Make sure temperature control is turned to OFF. Plug cord into 120-volt AC outlet.
2. Remove rack. Leave insert pan in roaster oven.
3. Set temperature control to desired setting and let preheat 15 minutes.
4. Place food to be cooked in a pan on the rack (or directly in the insert pan). Then place rack in oven and replace the cover.
5. When finished cooking, remove cover. Wearing oven mitts, remove food by using the rack.
6. Turn temperature control to OFF and unplug roaster oven.

Roasting

Roasting Meats and Poultry

- We recommend the use of a meat thermometer to assure perfectly cooked roasts and poultry every time. If using a meat thermometer, the meat or poultry should be removed from the roaster oven when the thermometer reading is 5 to 10 degrees below the desired temperature. The internal temperature will continue to rise after the meat has been removed from the roaster oven.
- Most hams sold today are labeled as “Cook Before Eating” or “Fully Cooked.” Ham labeled “Cook Before Eating” has been smoked or cured but NOT cooked. This ham must be thoroughly cooked to an internal temperature of 155° to 160°F. The “Fully Cooked” hams have been smoked or cured and already cooked. The ham does not require further cooking, but heating to 140°F improves the flavor.

- The roaster oven cooks turkeys in less time than conventional ovens. A 14- to 18-pound unstuffed turkey will cook in approximately 2½ hours. A turkey cooked in the roaster oven is moist and juicy but does not brown. If you want a turkey with browned skin, please use the Turkey Browning Sauce in the “Recipes” section.
- The Roasting Chart lists cooking times for tender cuts of meat that are usually dry-roasted. These roasts are from the rib or sirloin area. To tenderize cuts from the leg (ham) or shoulder/chuck area, cook in liquid for a longer period of time.
- Times indicated are approximate and should be used only as a general guideline. Individual cuts of meat and personal preference may dictate longer or shorter roasting times.

Roasting Chart

Food	Weight	Meat Thermometer Temperature	Cooking Time (at 325°F)
Whole Turkey	14-18 lbs.	180°F	2 to 2½ hours
Turkey Breast	5-7 lbs.	180°F	1½ hours
Roasting Chicken	6-8 lbs.	180°F	1½ hours
Beef Roast	5-7 lbs.	160°F (medium)	2½ hours
Fresh Pork Roast	5-7 lbs.	160°F (medium)	2 hours
Picnic Shoulder Ham (Fully Cooked)	7-9 lbs.	140°F	3 hours
Whole Ham (Fully Cooked)	17-19 lbs.	140°F	3 hours

Baking

The roaster oven can bake your favorite cakes, pies, breads, or casseroles like a conventional oven. Pans and dishes should be placed on the rack for best heat circulation. Using the rack is also recommended for convenience in removing hot dishes and pans from the roaster oven.

Do not remove the cover of the roaster oven unless necessary. Removing the cover allows heat to escape and affects the temperature of the roaster oven.

Steaming

Preheat roaster oven to 450°F. To steam in the roaster oven, you will need a stainless steel colander. Place rack in the insert pan. Place insert pan in roaster oven. Pour 1 quart boiling water into

the insert pan. Place food to be steamed in the colander and place colander in insert pan. Cover and steam according to the following times or until desired doneness.

Items to Steam	Amount of Time
2 cauliflower heads, cut up	10 minutes
2 bunches of broccoli, cut up	10 minutes
2 pounds shrimp	10 minutes

Warming Rolls, Biscuits, Etc.

Preheat roaster oven to 250°F. You will need two small ovenproof containers to hold water. Emptied and washed food cans are perfect. Fill the cans two-thirds full with hot water and place in opposite

corners of the insert pan. Stack rolls, biscuits, or pancakes in insert pan. Do not let them touch sides of pan. Cover and keep warm up to one hour.

Quantity Cooking

The insert pan may be used as a large cooking utensil when cooking or heating large quantities, about 4 gallons. It may be used to simmer sauces, soups, or stews, or simply to heat or warm large quantities. When cooking or heating soups or stews in the roaster oven, stir occasionally for quicker, even heating.

For example, set the temperature control at 400°F and the roaster oven will warm vegetable beef soup from refrigerated temperature to serving temperature in about two hours. To cook soups, stews, or sauces, set the temperature control on 225°F and allow 4 to 8 hours to simmer, depending on recipe.

Cleaning Your Roaster Oven

1. Turn temperature control to OFF. Unplug roaster oven from outlet and let cool.
2. Wash cover, rack, and insert pan in hot, soapy water. To remove burned-on food, let soak; then scrub with a nylon scouring pad. Rinse in hot water; then dry.
3. Wipe the inside of the roaster base with a damp cloth.
4. Wipe the outside of the roaster oven with a damp, soapy cloth; then dry.

NOTE: Never immerse roaster base in water or other liquid.

Recipes – Appetizers

Unless otherwise instructed, preheat roaster oven for 15 minutes to the temperature stated in the recipe.

If recipe calls for the use of a baking pan or dish, take the rack out of the oven. Preheat oven to desired temperature. Then place pan on the rack and then place both into the roaster oven. Bake as instructed in the recipe. The rack makes it easier to place or remove pans or dishes into or from the hot roaster oven.

Party Meatballs

5-pound bag pre-cooked frozen meatballs	12-ounce jar currant jelly
12-ounce jar grape jelly	12-ounce bottle chili sauce
	12-ounce bottle cocktail sauce

Let meatballs thaw overnight in refrigerator. Place meatballs in insert pan. In a large mixing bowl beat together jellies and sauces. Pour over meatballs. Bake at 250°F for 2 hours or until heated through.

Baked Crab and Brie Dip

1 tablespoon vegetable oil	1 cup milk
1 tablespoon minced garlic	1 pound crabmeat
4 green onions, finely chopped (include half of green top)	10 ounces frozen, chopped spinach, thawed and squeezed dry
8 ounces Brie	6-ounce jar marinated artichoke hearts, drained and chopped
8 ounces cream cheese, room temperature	1 tablespoon prepared mustard

In a large skillet over medium heat, sauté the garlic and onion until the onion is limp. Remove any rind from the Brie and cut into ½-inch pieces. Add to the skillet. Cut cream cheese into cubes and add to the skillet with the milk. Cook and stir just until cheeses melt. Remove from heat and dump into mixing bowl. Pick through crab to remove any pieces of shell. Add spinach, artichoke hearts, crab, and mustard. Stir gently to mix and then spoon into a greased shallow 2-quart baking dish or casserole. Place in roaster oven and bake at 425°F for 15 to 20 minutes or until lightly browned. Serve with crackers or toasted slices of French bread.

Makes 8 hors d'oeuvre servings.

Main Dish/Entrees

Quick Roast Turkey

The roaster oven cooks a turkey in about half the time of a regular oven, but use a meat thermometer to make sure your turkey is thoroughly cooked. The roaster oven DOES NOT brown a turkey. The constant dripping of condensation from the cover of the roaster prevents the turkey from browning but also produces a turkey that is moist and juicy.

14- to 18-pound fresh or thawed turkey	1 teaspoon salt
1 onion, cut in half	½ teaspoon pepper
2 stalks celery	¼ cup butter, melted

Remove the rack. Pour ½ cup water into the insert pan, cover and preheat to 325°F. Remove giblets and neck from cavities of turkey. Set aside and use for giblet gravy. Rinse bird inside and out with cold water. Place onion and celery inside turkey. Rub outside with salt and pepper. Place on rack. Brush whole turkey with butter. Place in roaster. Cover and cook at 325°F for 2 or 2½ hours. Check meat thermometer reading. Continue cooking until meat thermometer registers 180°F.

Turkey Browning Sauce

For turkey with a brown skin, use the following recipe before cooking:

½ cup melted butter or margarine
1½ teaspoons browning sauce, like Kitchen Bouquet
1 teaspoon paprika

Wash turkey with cold water. Pat dry. Paint turkey with the browning mixture and cook as directed.

Whole Baked Ham

15 pound fully-cooked smoked ham	½ cup orange juice
2 cups water	1 cup brown sugar
½ cup honey	

Trim thick part of fat off of ham, down to ¼ inch. Score remaining layer of fat into diamond design; this will help hold glaze. Place ham on rack and place in roaster. Pour 2 cups water into insert pan. Cover and roast at 325°F for 1 hour. Combine remaining ingredients to make glaze. Remove cover and spoon half of glaze over ham. Cover and bake 1 more hour. Remove cover and spoon remaining glaze over ham. Replace cover, increase temperature to 400°F, and bake for 10 minutes to set glaze.

North Carolina Pork Barbeque

10 to 12 pounds Boston blade pork roasts	1 tablespoon black pepper
2 28-ounce cans whole tomatoes	2 tablespoons salt
1½ cups vinegar	3 tablespoons sugar
½ cup Worcestershire sauce	1 to 2 tablespoons crushed red peppers
½ cup water	

Place pork in insert pan. In a large mixing bowl, combine remaining ingredients. Stir to mix and break up whole tomatoes. Pour tomato/vinegar mixture over pork. Cover and roast at 250°F. Cook for 5 hours or until meat falls away from bone. Remove meat and slice or mince. Puree remaining sauce that pork was cooked with. Serve on buns with sauce and coleslaw. **Makes 24 servings.**

Chili

2 tablespoons oil	4 tablespoons canned, sliced jalapeno peppers (about half of 4-ounce can)
2 pounds beef chuck, cut into small pieces	1 tablespoon minced garlic
1 pound hot Italian sausage, removed from casings	4 tablespoons chili powder
1 pound sweet Italian sausage, removed from casings	2 tablespoons ground cumin
2 large onions, chopped	1 teaspoon black pepper
1 large green pepper, seeded and chopped	2 16-ounce cans kidney beans
	28-ounce can diced tomatoes, undrained
	12-ounce can tomato paste
	2 15-ounce cans chicken broth

Set temperature dial to 400°F. In insert pan, heat the oil. Add the beef and sausage and cook about 20 minutes. Add the onions, pepper, jalapeno, and garlic and cook 5 minutes. Stir in remaining ingredients. Reduce temperature to 275°F. Cover and bake for 2 hours, stirring halfway through. **Makes 5 quarts.**

Roast Chicken with Honey Mustard Glaze

6- to 7-pound roaster chicken	½ cup honey
½ teaspoon salt	3 tablespoons prepared mustard
¼ teaspoon pepper	

Remove giblets from roaster cavity and use for giblet gravy, if desired. Rinse chicken with cold water; pat dry. Sprinkle with salt and pepper. In a small bowl combine honey and mustard. Brush chicken with half of mixture. Place on rack and put into roaster oven. Cover and roast at 350°F for 1 hour. Brush with remaining glaze. Continue to cook another 45 minutes or until done.

Whole Beef Tenderloin

1 whole beef tenderloin, 7 to 9 pounds
2 teaspoons each: oregano, basil,
thyme, and salt

1 teaspoon each: ground red pepper,
black pepper, chili powder, and
onion powder

Trim off most of the fat covering the tenderloin. Fold thin, flat end of the tenderloin back toward middle and tie with kitchen twine. This is so the roast will cook more evenly. Combine all seasonings and rub over roast. Place roast on rack and place rack in roaster. Cover and roast at 400°F for 1½ hours before removing cover to check with meat thermometer. Cook to a minimum internal temperature of 140°F for rare. **Makes 14 to 20 servings.**

Blue Cheese Shrimp

4 ounces blue cheese, crumbled
8 ounces cream cheese, cut in cubes
and at room temperature
1 tablespoon chopped fresh chives
1 tablespoon chopped fresh parsley

1 clove garlic, minced
½ cup white wine*
2 pounds shelled raw shrimp
Cooked rice or pasta

In a medium mixing bowl combine the blue cheese, cream cheese, chives, parsley, garlic, and wine. Beat until smooth. Fold in shrimp by hand. Pour into a greased shallow 2-quart casserole dish. Place in roaster oven and bake at 400°F for 20 minutes or until mixture is bubbly and shrimp are just done. Mixture will be soupy. Serve over hot rice or pasta. **Makes 6 servings.**

* You may substitute ¼ cup ginger ale + 1 tablespoon lemon juice for the wine.

Side Dishes

Seasoned Rice

8 cups regular or converted
white rice (uncooked)
2 tablespoons dried minced onion

8 cups beef or chicken broth or bouillon
8 cups boiling water
½ cup butter or margarine, melted

Remove insert pan from roaster oven. Preheat oven to 350°F. Place all ingredients in insert pan. Stir to mix. Place insert pan in roaster oven. Cover and bake for 1½ hours. **Makes 30 servings.**

Baked Potatoes

10 pounds baking potatoes

Wash and scrub the potatoes. Pierce all the potatoes several times. Stack in the roaster oven so that they are not touching the sides of the insert pan. Bake at 400°F for 1 hour or until done. Check for doneness by piercing with a fork.

Southern Baked Beans

1 pound lean ground beef	$\frac{3}{4}$ cup ketchup
1 envelope dry onion soup mix	2 tablespoons prepared mustard
2 16-ounce cans pork and beans	1 tablespoon vinegar
1 16-ounce can kidney beans	

Do not drain beans. In a large skillet brown ground beef until done. Discard grease. Place browned ground beef, soup mix, pork and beans, kidney beans, ketchup, mustard, and vinegar into a 3-quart casserole or baking dish. Mix thoroughly. Place in roaster oven and bake at 350°F for 35 to 45 minutes. **Makes 10 servings.**

Corn Pudding

$\frac{1}{4}$ cup butter, melted	$\frac{1}{2}$ teaspoon pepper
$\frac{1}{4}$ cup flour	3 cups milk
6 tablespoons sugar	6 eggs
2 teaspoons salt	2 16-ounce cans whole kernel corn, drained

Pour butter into a 9x13-inch baking dish or pan. Tilt to coat bottom and sides of pan. In a small bowl combine flour, sugar, salt, and pepper; set aside. In a large mixing bowl, whisk together milk and eggs. Stir in corn. Sprinkle flour-sugar mixture over top of corn mixture; then stir to blend. Pour into prepared pan. Place in roaster oven and bake at 350°F for 35 to 45 minutes or until set.

Makes 10 to 12 servings.

Creamed Potatoes

4 pounds white potatoes, about 15 medium	1½ teaspoons salt
3 cups half and half	$\frac{1}{4}$ teaspoon pepper
3 tablespoons finely minced onion	4 tablespoons butter

Scrub the potatoes but do not peel. Place in a large pot and cover with water. Place over high heat and bring to boil. Reduce to simmer and cook until done, about 45 minutes. Refrigerate overnight. Grate the potatoes. It is not necessary to peel them. Place grated potatoes, half and half, onion, salt, and pepper in a large bowl and stir to mix. Put butter in a 9x13-inch baking dish and rotate dish to coat. Spoon in potato mixture. Place in roaster oven and bake at 375°F for 1 hour.

Makes 10 servings.

Cheddar Onion Cornbread

¼ cup butter	2 eggs
1½ cups chopped onion	1 cup milk
8-ounce container sour cream	2 8-ounce packages corn muffin mix
1½ cups grated cheddar cheese, divided	15-ounce can cream corn
	3 drops hot pepper sauce

In a skillet over medium high heat, sauté onions in butter until soft. Transfer to a medium mixing bowl and let cool. Stir in sour cream and 1 cup of the cheddar cheese. Set aside.

In another bowl, whisk eggs. Then add milk, muffin mix, cream corn, and pepper sauce. Stir until mixed. Spread muffin batter into a greased 9x13-inch baking pan. Dollop sour cream mixture over top of batter. Sprinkle remaining cheddar cheese over all. Place in roaster oven and bake at 425°F for 30 to 35 minutes. Let set for 5 minutes before cutting.

Desserts

Gingerbread with Lemon Sauce

Gingerbread

½ cup butter, softened	½ teaspoon baking soda
1 cup brown sugar	⅛ teaspoon salt
2 eggs	1 tablespoon ground ginger
1 cup milk	¼ teaspoon cinnamon
1 cup molasses	¼ teaspoon cloves
2½ cups flour	¼ teaspoon nutmeg

Grease a 9x13-inch baking pan. In a large bowl, cream together butter and sugar. Add eggs and mix well. Add milk and molasses and mix thoroughly. Add flour, baking soda, salt, ginger, cinnamon, cloves, and nutmeg. Beat well. Pour batter into greased pan. Place in roaster oven and bake for 35 to 40 minutes at 350°F until gingerbread begins to pull away slightly from sides of pan.

Lemon Sauce

2 tablespoons cornstarch	1 cup hot water
½ cup sugar	2 tablespoons butter
⅛ teaspoon salt	Juice and grated peel from one lemon

In a medium saucepan, combine cornstarch, sugar, and salt. Blend in hot water. Cook over medium-high heat, stirring constantly until mixture boils and is slightly thickened. Stir in butter, juice of lemon, and grated lemon peel, mixing well until butter is melted. Serve warm or cold over gingerbread. **Makes 1½ cups.**

Lemon Squares

1 cup butter	½ cup flour
½ cup sugar	1 teaspoon baking powder
2 cups flour	4 tablespoons lemon juice
4 eggs	2 tablespoons lime juice
2 cups sugar	Grated zest of 1 lemon (yellow part of peel)
½ teaspoon vanilla	

Place butter and sugar in mixing bowl and beat until mixed. Add flour and mix until blended and crumbly. Press mixture into bottom of 9x13-inch baking pan. Place in roaster oven and bake at 350°F for 20 minutes or until edges just turn brown. Meanwhile in same bowl (do not need to wash) beat eggs. Slowly add sugar then vanilla, flour, baking powder, juices, and zest. When crust is done, pour egg mixture over crust. Return to oven and bake an additional 20 to 25 minutes or until set. Cool in pan then cut into squares.

The Perfect Cheesecake

You need a springform pan for this, but cheesecakes are easy to make. The roaster oven cooks the cheesecake with gentle heat by surrounding it with water like the professionals do.

Butter	1½ cups sugar
½ cup graham cracker crumbs	5 eggs
6 8-ounce packages cream cheese, room temperature	1 teaspoon vanilla
	1 tablespoon lemon juice

Generously butter bottom and sides of 9½ inch springform pan. Sprinkle crumbs evenly over bottom of pan. In a large mixing bowl beat cream cheese until smooth. Add sugar and continue to beat until smooth. Add eggs beating well after each addition. Stir in vanilla and lemon juice. Pour into prepared springform pan. Cover springform pan with aluminum foil. (This prevents condensation in roaster from dripping onto cake.) Pour 3 quarts hot water into insert pan. Place springform pan on rack and place in roaster. Cover and bake at 325°F for 1½ hours. Carefully remove and let cool; then refrigerate thoroughly before serving.

Makes 16 to 20 servings.

Harvest Apple Cake

1 cup sugar	1 teaspoon baking soda
1 cup light brown sugar	1 teaspoon salt
1½ cups vegetable oil	½ teaspoon cinnamon
3 eggs	½ teaspoon nutmeg
2 teaspoons vanilla extract	2 cups finely chopped apples
3 cups flour	1 cup chopped pecans

Preheat roaster oven to 325°F. In a large mixing bowl beat together sugars, oil, eggs, and vanilla. Add flour, soda, salt, cinnamon, and nutmeg. Mix until blended. Stir in apples and nuts. Pour into greased 10-12 cup bundt or tube pan. Place in roaster oven and bake 1 hour or until toothpick inserted in center comes out clean. Let cool in pan 5 minutes; then invert on cookie rack to cool.

Mocha Souffle Cake

6 ounces semisweet baking chocolate	1 cup butter
2 ounces unsweetened baking chocolate	1 tablespoon instant coffee
OR	8 eggs, separated
8 ounces bittersweet chocolate	¼ teaspoon salt
	1 cup sugar
	1 teaspoon vanilla

In double boiler or heavy saucepan over low heat, melt chocolate, butter, and instant coffee. Set aside. In a mixing bowl beat egg whites and salt until whites hold a point but not stiff. Set aside. In a mixing bowl whisk egg yolks. Add some of the melted chocolate to the yolks, then whisking quickly, add remaining chocolate to the yolks. Stir in sugar and vanilla. Add a few large spoonfuls of egg whites to the chocolate. Fold in. Add remaining whites and fold until combined. Generously butter a bundt or 10-inch tube pan then generously coat with sugar. Pour in chocolate mixture. Place in roaster oven and bake at 300°F for 2 hours. The cake will rise and then fall during baking. Remove from oven and let sit in pan 5 minutes. Invert onto serving plate. Best if served warm with whipped cream or ice cream.

Breakfast Foods

Baked Eggs

1½ cups milk	½ teaspoon pepper
3 dozen eggs	¼ cup melted butter
1 teaspoon salt	

In a large bowl, beat milk, eggs, salt, and pepper with mixer. Pour melted butter into 9x13-inch baking pan and tilt pan to coat bottom and sides. Pour egg mixture into pan. Place in roaster oven and bake eggs at 400°F for 30 minutes, stirring and scraping sides of pan with a rubber spatula every 10 minutes to ensure even cooking. **Makes 15 servings.**

Overnight Sticky Buns

¾ cup finely chopped pecans	¼ cup butter, melted
1 pound, 9-ounce bag frozen roll dough	½ cup brown sugar
4 tablespoons + 1 teaspoon butterscotch cook and serve pudding mix (½ of a 3.5 ounce box)	1 teaspoon cinnamon

Grease a 10-inch tube or bundt pan. Sprinkle pecans in bottom of pan. Place frozen rolls in pan. Sprinkle with pudding mix. Pour melted butter over rolls. Combine brown sugar and cinnamon and sprinkle over rolls. Cover with wax paper and let sit at room temperature overnight. In the morning, remove wax paper, place in roaster oven, and bake at 350°F for 20 to 30 minutes. Remove from oven and immediately place serving plate on top of pan. Use hot mitts and flip the pan to remove sticky buns.

Customer Assistance

If you have a claim under this warranty, please call our Customer Assistance Number. For faster service please have model, series, and type numbers ready for operator to assist you. These numbers can be found on the bottom of your roaster oven.

MODEL: _____ **TYPE:** _____ **SERIES:** _____

Customer Assistance Number 1-877-207-0923

Keep this number for future reference!

E-mail inquiries: www.gehousewares.com

Two-Year Limited Warranty

What does your warranty cover?

- Any defect in material or workmanship.

For how long after the original purchase?

- Two years.

What will we do?

- Provide you with a new one.

How do you make a warranty claim?

- Save your receipt.
- Properly pack your unit. We recommend using the original carton and packing materials.
- Return the product to your nearest WAL*MART store or call Customer Assistance at 1-877-207-0923.

What does your warranty not cover?

- Glass parts, glass containers, cutter/strainer, blades and/or agitators.
- Commercial use or any other use not found in printed directions.
- Damage from misuse, abuse, or neglect.
- Products purchased or serviced outside the USA.

How does state law relate to this warranty?

- This warranty gives you specific legal rights, and you may also have other rights which vary from state to state.
- WAL*MART expressly disclaims all responsibility for consequential damages or incidental losses caused by use of this appliance. Some states do not allow this exclusion or limitation of incidental or consequential losses so the foregoing disclaimer may not apply to you.

What if you purchased your product in the U.S., Canada or Mexico and encounter a problem while using it outside the country of purchase?

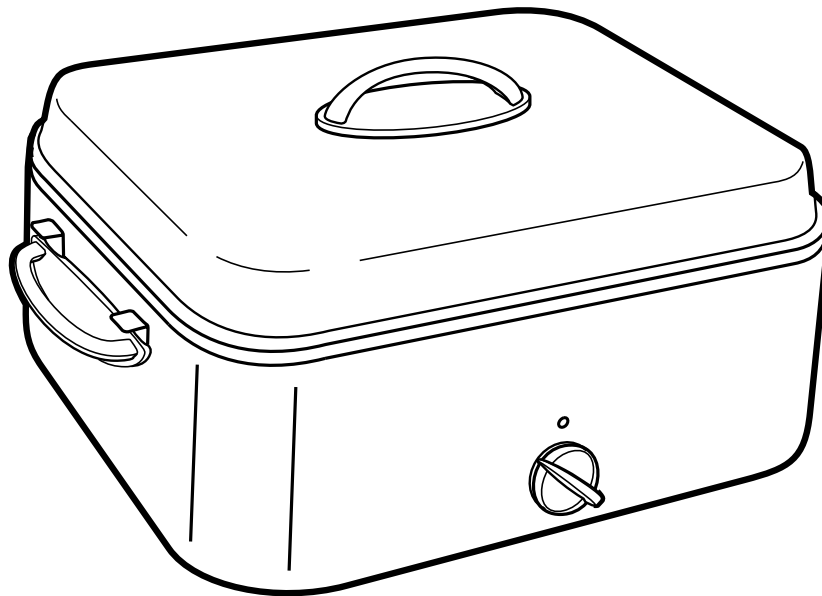
- The warranty is valid only in the country of purchase and if you follow the warranty claim procedure as noted.



is a trademark of
General Electric Company
and is used under license by
WAL*MART Stores, Inc.
Bentonville, AR 72716



Horno Asador



Seguridad con el horno asador.....	2	Tabla de asado.....	5
Piezas y opciones.....	3	La limpieza de su horno asador.....	7
El uso de su horno asador.....	3	Recetas.....	7
Cómo asar	5	Asistencia al cliente.....	16

Para comunicarse con Asistencia al Cliente, llame al 1-877-207-0923

Seguridad con el horno asador

SALVAGUARDIAS IMPORTANTES

Cuando use aparatos eléctricos, es importante seguir todas las precauciones de seguridad que incluyen lo siguiente:

1. Lea todas las instrucciones.
2. No toque superficies calientes. Use las manijas o las perillas.
3. Use guantes de cocina para sacar la asadera de inserción del horno asador; o para sacar una asadera o alimentos cocidos de la asadera de inserción.
4. Para protegerse contra el riesgo de choque eléctrico, no sumerja la base del asador, el cordón ni el enchufe en agua ni en ningún otro líquido.
5. Es necesario mantener una supervisión estricta cuando aparatos eléctricos sean usados por niños o en presencia de niños.
6. Desenchúfelo del tomacorriente cuando no lo esté usando y antes de la limpieza. Deje que se enfríe antes de colocar o sacar alguna pieza, y antes de limpiarlo.
7. No opere ningún aparato electrodoméstico si el cordón o el enchufe están averiados, después de un mal funcionamiento del aparato, o si éste se ha caído o averiado de alguna forma. Llame a nuestro número de llamada gratis de servicio al cliente, para obtener información sobre el examen, la reparación o la regulación del aparato.
8. No lo use al aire libre.
9. El uso de accesorios no recomendados por el fabricante del aparato puede causar lesiones.
10. No deje que el cordón cuelgue sobre el borde de una mesa o de un mostrador, o que toque alguna superficie caliente, incluyendo la superficie de una cocina.
11. Para desconectar, coloque el control en la posición apagada "Off" y luego saque el enchufe del tomacorriente.
12. No coloque el aparato sobre o cerca de una fuente de gas caliente o de un quemador eléctrico, ni dentro de un horno caliente.
13. Es importante tener extremo cuidado cuando se mueva un aparato electrodoméstico que contenga aceite caliente u otros líquidos calientes.
14. **PRECAUCIÓN:** El vapor que se escapa desde la parte inferior de la tapa es caliente y puede causar quemaduras.
15. No lo use sin la bandeja de inserción especialmente diseñada para este modelo.
16. No use el aparato para derretir cera ni para cualquier otra aplicación no relacionada con alimentos.
17. No permita que materiales inflamables como cortinas, colgaduras, paredes, armarios, placas posteriores y otras superficies toquen ninguna parte del horno asador mientras esté funcionando.
18. **No use el aparato electrodoméstico para ningún otro fin que no sea el indicado.**

¡GUARDE ESTAS INSTRUCCIONES!

Información para la seguridad del consumidor

No use este horno asador en aplicaciones de tipo comercial, profesional o industrial. Este horno asador ha sido diseñado solamente para cocinar alimentos. No se debe usar para derretir cera. Este aparato ha sido diseñado, construido y se debe usar para aplicaciones domésticas solamente.

Este aparato viene equipado con un enchufe polarizado. Este tipo de enchufe tiene una clavija más ancha que la otra. Este tipo de

enchufe encajará en un tomacorriente de una sola manera. Esta es una propiedad de seguridad destinada a reducir el riesgo de choque eléctrico. Si no puede introducir el enchufe en el tomacorriente, trate de invertir el enchufe. Si aún no encaja, comuníquese con un electricista competente para cambiar el tomacorriente obsoleto. No trate de hacer caso omiso del propósito de seguridad de la clavija de tierra modificando el enchufe de alguna manera.

El largo del cordón que se usa en este aparato fue seleccionado para reducir el peligro de que alguien se enganche o tropiece con un cordón más largo. Si se necesita un cordón más largo, se puede usar un cordón de alargue aprobado.

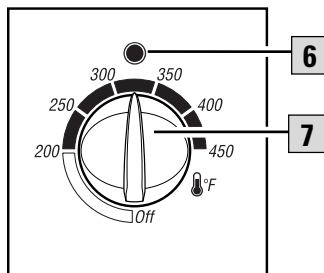
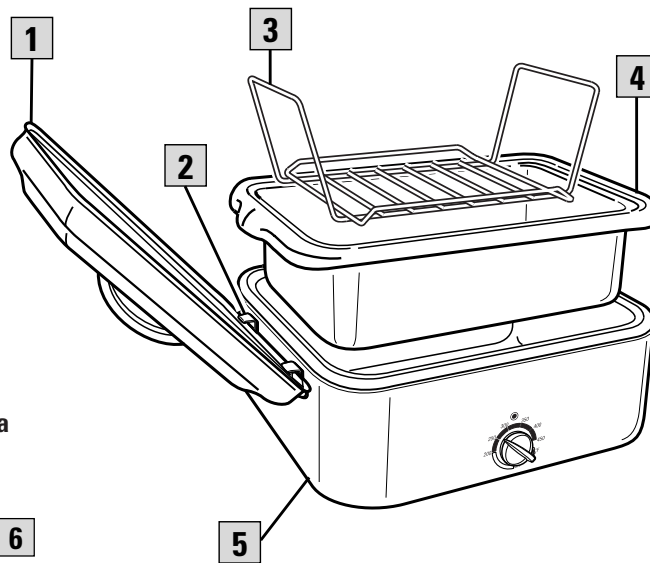
La clasificación nominal eléctrica del cordón de alargue deberá ser igual o mayor que la clasificación nominal del horno asador.

Es importante tener cuidado de colocar el cordón de alargue para que no se pliegue sobre el mostrador o la mesera en donde niños puedan tirar del mismo o tropezarse accidentalmente.

¡Es importante leer este manual! El horno asador cocina algunos productos con más rapidez que un horno convencional.

Piezas y opciones

- 1** Tapa
- 2** Sujetadores de la tapa
- 3** Rejilla
- 4** Asadera de inserción desmontable de 18 cuartos
- 5** Base
- 6** Luz indicadora
- 7** Control de temperatura



El uso de su horno asador

Antes de usar: Lave la asadera de inserción, la rejilla y la tapa antes de usarlo. Durante el primer uso del horno asador, es posible que se observe un poco de humo y olor. El humo y el olor no deberán ocurrir después de la primera vez que se caliente el horno.

Notas sobre su horno asador

- Siempre se debe usar la asadera de inserción cuando se cocine en el horno asador. Si se cocina una gran cantidad de sopa o guisado, se puede usar la asadera de inserción como asadera común en la base del asador. También se puede usar como asadera grande común en la base del asador.
- No use la asadera de inserción como asadera común o cacerola para pasteles, panes o guisados. Cuando se cocine este tipo de comida, se deberá colocar una asadera separada en la asadera de inserción.
- La mayoría de las cacerolas de vidrio resistentes al calor encajan bien en el horno asador. Coloque la cacerola en la asadera de inserción antes de llenarla para asegurarse de que encaje.
- Las asaderas comunes y cacerolas deben colocarse sobre la rejilla para permitir que el calor circule mejor. Si es necesario, se puede sacar la rejilla para adaptar una asadera más grande o dos cacerolas en el horno asador.
- Antes de hornear o de asar en el horno asador, coloque la asadera o cacerola que tenga planeado usar en la asadera de inserción para asegurarse de que encaje debidamente.
- Se pueden usar bolsas de aluminio para asar en el horno asador. No recomendamos el uso de bolsas de plástico para asar en el horno asador.
- No saque la tapa del horno asador a menos que sea necesario. Si se saca la tapa, se permite que el calor escape, afectando la temperatura del horno asador.
- La luz indicadora pasará por el ciclo de encendido y apagado cuando el horno se esté calentando para mantener la temperatura determinada.

A continuación indicamos los tamaños de asaderas que encajarán en el horno asador

- Una asadera de 9 x 13 pulgadas o una fuente de horno de 10 x 14 pulgadas.
- Dos moldes para pan de 9x 5 u 8 x 4 pulgadas.
- Una tortera con tubo o para Bundt

Cómo se usa

Notas:

- La asadera de inserción siempre debe estar colocada en la base del asador cuando se esté cocinando.
 - Si la receta indica que se debe calentar el horno con anticipación, gradúe a la temperatura deseada. La luz indicadora roja se apagará cuando el horno haya alcanzado la temperatura graduada.
1. Asegúrese de que el control de temperatura esté en la posición apagada. Enchufe el cordón en un tomacorriente de 120 voltios CA.
 2. Saque la rejilla. Deje la asadera de inserción en el horno asador.
 3. Gradúe la temperatura al nivel deseado y deje que se caliente por 15 minutos.
 4. Coloque la comida que se cocinará en una asadera sobre la rejilla (o directamente en la asadera de inserción). Luego coloque la rejilla en el horno y vuelva a tapar.
 5. Cuando termine de cocinar, saque la tapa. Con guantes de cocina, saque la comida usando la rejilla.
 6. Coloque el control de temperatura en la posición apagada y desenchufe el horno asador.

Cómo asar

Cómo asar carne de res y de pollo

- Recomendamos el uso de un termómetro para carne para que la carne o el pollo asado siempre estén perfectamente cocidos. Si usa un termómetro para carne, se deberá sacar la carne o el pollo del horno asador cuando el termómetro haya alcanzado una temperatura de 5 a 10 grados inferior a la temperatura deseada. La temperatura interna continuará aumentando después de haber sacado la carne del horno asador.
- La mayoría de los jamones que se venden en la actualidad, tienen una etiqueta de dice “Cocinar antes de Comer” o “Totalmente cocido”. El jamón con una etiqueta de “Cocinar antes de Comer” ha sido ahumado o curado pero NO cocido. Ese jamón se debe cocinar bien a una temperatura interna de entre 155 y 160°F. Los jamones “Totalmente cocidos” han sido ahumados o curados y también cocidos. El jamón no requiere más cocción, pero si se calienta a 140°F, eso mejorará su sabor.
- El horno asador cocina pavos en menos tiempo que los hornos convencionales. Un pavo sin relleno de 14 a 18 libras de peso se cocinará en aproximadamente 2 horas y media. Un pavo cocido en el horno asador queda jugoso y no seco, pero no dorado. Si desea un pavo con piel dorada, use la Salsa para dorar Pavos en la sección de “Recetas”.
- La Tabla de Asado indica los tiempos de cocción para cortes tiernos de carne de res que generalmente se asan en seco. Estos cortes son de la zona de las costillas o del lomo. Para suavizar los cortes de la nalga (jamón) o de la paleta o corte delantero, se deberán cocinar en líquido por un período más largo de tiempo.
- Los tiempos indicados son aproximados y se deben usar solamente como guía general. Los cortes individuales de carne de res y las preferencias personales dictarán tiempos de asado más largos o más cortos.

Tabla de asado

Comida	Peso	Temperatura del termómetro para carne	Tiempo de cocción (a 325°F)
Pavo entero	14-18 lbs	180°F	2 a 2½ horas
Pechuga de pavo	5-7 lbs	180°F	1½ horas
Pollo al horno	6-8 lbs	180°F	1½ horas
Rosbif	5-7 lbs	160°F (mediano)	2½ horas
Cerdo asado	5-7 lbs	160°F (mediano)	2 horas
Paleta de Jamón (totalmente cocido)	7-9 lbs	140°F	3 horas
Jamón entero (totalmente cocido)	17-19 lbs	140°F	3 horas

Para hornear

El horno asador puede hornear sus pasteles, pais, panes o guisados favoritos como un horno convencional. Las asaderas y las fuentes se deben colocar sobre la rejilla para hacer circular mejor el calor. También se recomienda el uso de la rejilla por conveniencia para sacar las fuentes y las asaderas calientes del horno asador.

No saque la tapa del horno asador a menos que sea necesario. Si se saca la tapa, se permite que el calor escape, afectando la temperatura del horno asador.

Para cocinar al vapor

Caliente el horno asador a 450°F. Para cocinar al vapor en el horno asador, se necesitará un colador de acero inoxidable. Coloque la rejilla en la asadera de inserción. Coloque la asadera de inserción en el horno asador. Vierta 1 cuarto de agua hirviendo en la asadera de

inserción. Coloque la comida que desee cocinar al vapor en el colador y coloque el colador en la asadera de inserción. Cubra y cocine al vapor según los tiempos que se indican a continuación o hasta que se haya obtenido la cocción deseada.

Productos que se desea cocinar al vapor	Cantidad de tiempo
2 cabezas de coliflor, cortadas	10 minutos
2 ramilletes de brócoli, cortados	10 minutos
2 libras de camarones	10 minutos

Para calentar bolillos, panecillos, etc.

Pre caliente el horno asador a 250°F. Necesitará dos envases refractarios pequeños para el agua. Latas de comida vaciadas y lavadas son una perfecta solución. Llene dos tercios de las latas con agua caliente y colóquelas en esquinas

opuestas de la asadera de inserción. Coloque los bolillos, panecillos o panqueques apilados en el horno de inserción. No deje que toquen los costados de la asadera. Cubra y manténgalos calientes hasta por una hora.

Para cocinar en cantidades

La asadera de inserción se puede usar como utensilio grande de cocción cuando se cocinen o se calienten cantidades grandes, de unos 4 galones. Se puede usar para hervir salsas, sopas o guisados a fuego lento, o simplemente para calentar o entibiar cantidades grandes. Cuando cocine o caliente sopas o guisados en el horno asador, revuelva ocasionalmente para que se calienten en forma más uniforme y más rápida.

Por ejemplo, gradúe la temperatura a 400°F y el horno asador calentará sopa de carne con vegetales desde la temperatura de refrigeración a la temperatura para servirla en unas dos horas. Para cocinar sopas, guisados o salsas, gradúe la temperatura a 225°F y deje calentar a fuego lento entre 4 y 8 horas, según la receta.

La limpieza de su horno asador

1. Coloque el control de temperatura en la posición apagada. Desenchufe el horno asador del tomacorriente y deje que se enfríe.
 2. Lave la tapa, la rejilla y la asadera de inserción en agua caliente y jabonosa. Para eliminar la comida quemada que se haya pegado, deje en remojo, y luego frote con una esponjilla de nilón. Enjuague en agua caliente y luego seque.
 3. Lave el interior de la base del asador con un paño húmedo.
 4. Lave el exterior del horno asador con un paño húmedo y jabonoso y luego deje que se seque.
- NOTA:** Nunca sumerja la base del asador en agua ni en ningún otro líquido.

Recetas – Aperitivos

A menos que se haya indicado lo contrario, precaliente el horno asador durante 15 minutos a la temperatura indicada en la receta.

Si la receta indica que se debe usar una asadera o fuente, saque la rejilla del horno. Precaliente el horno a la temperatura deseada. Luego coloque la asadera sobre la rejilla y luego coloque ambos en el horno asador. Hornee según las instrucciones de la receta. La rejilla hace que sea más fácil colocar o sacar las asaderas o las fuentes del horno asador caliente.

Albóndigas para fiesta

Una bolsa de 5 libras de albóndigas congeladas pre-cocidas
Una jarra de jalea de uvas de 12 onzas

Una jarra de jalea de pasas de Corinto de 12 onzas
Una botella de salsa chile de 12 onzas
Una botella de salsa cóctel de 12 onzas

Deje que las albóndigas se descongelen en el refrigerador durante la noche. Coloque las albóndigas en la asadera de inserción. En un tazón grande mezcle las jaleas y las salsas juntas. Vierta sobre las albóndigas. Hornee a 250°F por 2 horas o hasta que estén bien calentadas.

Salsa horneada de brie y cangrejo

1 cucharada de aceite vegetal
1 cucharada de ajo picado
4 cebolletas bien picadas (incluye la mitad superior verde)
8 onzas de Brie
8 onzas de queso crema a temperatura ambiente

1 taza de leche
1 libra de carne de cangrejo
10 onzas de espinaca congelada, picada, descongelada y escurrida
Una jarra de corazones de alcachofa en adobo de 6 onzas, escurridos y picados
1 cucharada de mostaza preparada

En una sartén grande sobre calor mediano, haga saltar el ajo y la cebolla, hasta que la cebolla esté blanda. Saque la cáscara del Brie y corte en trozos de ½ pulgada. Agregue a la sartén. Corte el queso crema en cubitos y agregue a la sartén junto con la leche. Cocine y revuelva hasta que los quesos se derritan. Retire del calor y vierta

en un tazón. Asegúrese de sacar todo trozo de caparazón que pueda haber en la carne de cangrejo. Agregue la espinaca, los corazones de alcachofa, el cangrejo y la mostaza. Revuelva suavemente para mezclar y luego vierta la mezcla con una cuchara en una fuente o cacerola llana de 2 cuartos aceitada. Coloque en el horno asador y hornee a 425°F durante 15 a 20 minutos o hasta que esté ligeramente dorada. Sirva con galletas o tajadas de pan francés tostado. **Sirve 8 porciones de entremés.**

Plato fuerte/Plato principal

Pavo asado rápido

El horno asador cocina un pavo en la mitad de tiempo que un horno común, pero use un termómetro para carne para asegurarse de que el pavo esté perfectamente cocido. El horno asador NO dora un pavo. El goteo constante de condensación de la tapa del asador evita que el pavo se dore, pero también produce un pavo jugoso.

Un pavo fresco o descongelado de 14 a 18 libras	1 cucharadita de sal
1 cebolla, cortada a la mitad	½ cucharadita de pimienta
2 tallos de apio	¼ taza de manteca, derretida

Saque la rejilla. Vierta ½ taza de agua en la asadera de inserción, cubra y precaliente a 325° F. Saque los menudillos y el pescuezo de las cavidades del pavo. Colóquelos a un costado y úselos para hacer salsa de menudillos. Enjuague el pavo por dentro y por fuera con agua fría. Coloque la cebolla y el apio dentro del pavo. Frote el exterior con sal y pimienta. Colóquelo sobre la rejilla. Pinte todo el pavo con mantequilla. Colóquelo en el asador. Cubra y cocine a 325°F durante 2 o 2½ horas. Chequee la lectura del termómetro para carne. Continúe cocinando hasta que el termómetro para carne indique 180°F.

Salsa para dorar el pavo

Para dorar la piel del pavo, use la siguiente receta antes de cocinar:

½ taza de mantequilla o margarina derretida
1½ cucharada de salsa para dorar, como Kitchen Bouquet
1 cucharadita de paprika

Lave el pavo con agua fría. Golpetee para secarlo. Pinte el pavo con la mezcla para dorar y cocínelo según las instrucciones.

Jamón Entero al Horno

Un jamón ahumado totalmente cocido de 15 libras	½ taza de miel
2 tazas de agua	½ taza de jugo de naranja
	1 taza de azúcar morena

Recorte la parte gruesa de la grasa del jamón, hasta que tenga un espesor de ¼ pulgada. Corte la capa restante de grasa en un diseño de rombo; esto ayudará a mantener el glaseado. Ponga el jamón en la rejilla y colóquelo en el asador. Vierta 2 tazas de agua en la asadera de inserción. Cubra y ase a 325°F por 1 hora. Combine el resto de los ingredientes para hacer el glaseado. Saque la tapa y eche la mitad del

glaseado con una cuchara sobre el jamón. Cubra y cocine 1 hora más. Saque la tapa y eche el resto del glaseado con una cuchara sobre el jamón. Vuelva a colocar la tapa, aumente la temperatura a 400°F y cocine por 10 minutos para asentar el glaseado.

Cerdo a la barbacoa estilo Carolina del Norte

Paletas de cerdo estilo Boston de 10 a 12 libras	1 cucharada de pimienta negra
2 latas de tomates enteros de 28 onzas	2 cucharadas de sal
1½ tazas de vinagre	3 cucharadas de azúcar
½ taza de salsa Worcestershire	1 a 2 cucharadas de pimientos rojos triturados
½ taza se agua	

Coloque el cerdo en la asadera de inserción. En un tazón grande, combine el resto de los ingredientes. Revuelva para mezclar y rompa los tomates enteros. Vierta la mezcla de tomate/vinagre sobre el cerdo. Cubra y ase a 250°F. Cocine por 5 horas o hasta que la carne se desprege del hueso. Saque la carne y corte en tajadas o pique. Haga un puré con el resto de la salsa en que se cocinó el cerdo. Sirva sobre panecillos con la salsa y ensalada de repollo. **Se obtienen 24 porciones.**

Chile

2 cucharadas de aceite	4 cucharadas de pimientos jalapeños en lata, cortados en tajadas (más o menos la mitad de una lata de 4 onzas)
2 libras de cuarto delantero de vaca, cortado en trozos pequeños	1 cucharada de ajo picado
1 libra de salchicha italiana picante sin la piel	4 cucharadas de polvo de chile
1 libra de salchicha italiana dulce sin la piel	2 cucharadas de comino molido
2 cebollas grandes, picadas	1 cucharadita de pimienta negra
1 pimiento verde grande, sin semillas y picado	2 latas de frijoles en forma de riñón de 16 onzas
	1 lata de tomates cortados en cubitos de 28 onzas, con el líquido
	1 lata de pasta de tomate de 12 onzas
	2 latas de caldo de gallina de 15 onzas

Coloque el cuadrante de temperatura a 400°F. Caliente el aceite en la asadera de inserción. Agregue la carne y la salchicha y cocine unos 20 minutos. Agregue las cebollas, los pimientos, jalapeños, y el ajo y cocine 5 minutos. Mezcle los ingredientes restantes. Reduzca la temperatura a 275°F. Cubra y cocine por 2 horas, agitando después de la mitad del tiempo. **Se obtienen 5 cuartos.**

Pollo asado con Glaseado de Mostaza a la Miel

1 pollo para asar de 6 a 7 libras	½ taza de miel
½ cucharadita de sal	3 cucharadas de mostaza preparada
¼ cucharadita de pimienta	

Saque los menudillos de la cavidad del pollo y úselos para la salsa de menudillos, si así lo desea. Enjuague el pollo con agua fría; golpetee para secarlo. Espolvoree con sal y pimienta. En un tazón pequeño, combine miel y mostaza. Pinte el pollo con la mitad de la mezcla. Coloque en la rejilla y póngalo en el horno asador. Cubra y cocine a 350°F por 1 hora. Pinte con el resto del glaseado. Continúe cocinando otros 45 minutos o hasta que esté listo.

Lomo de res entero

1 lomo de res entero de 7 a 9 libras
2 cucharaditas de cada uno: orégano,
albahaca, tomillo y sal

1 cucharadita de cada uno: pimienta
roja molida, pimienta negra, polvo
de chile y polvo de cebolla

Recorte la mayoría de la grasa que cubre el lomo. Doble el extremo plano y delgado del lomo hacia atrás en dirección al centro y átelo con mecate de cocina. Esto se hace para que el bife se cocine con más uniformidad. Combine todas las especias y frote el bife con la mezcla. Ponga el bife en la rejilla y coloque la rejilla en el asador. Cubra y cocine a 400°F por 1½ horas antes de sacar la tapa para chequear el termómetro para carne. Cocine a una temperatura interna mínima de 140°F para que quede poco hecho (“a la inglesa”). **Se obtienen entre 14 y 20 porciones.**

Camarones al Roquefort

4 onzas de queso Roquefort,
desmenuzado

8 onzas de queso crema, cortado en
cubitos y a temperatura ambiente

1 cucharada de cebollinos frescos picados
1 cucharada de perejil fresco picado

1 diente de ajo, picado

⅓ taza de vino blanco*

2 libras de camarones crudos sin
caparazón

Pasta o arroz cocido

En un tazón de tamaño mediano combine el queso Roquefort, el queso crema, los cebollinos, el perejil, ajo y el vino. Bata hasta que quede uniforme. Vierta y mezcle los camarones a mano. Vierta la mezcla en una fuente de 2 cuartos no profunda y aceitada. Coloque en el horno asador y cocine a 400° por 20 minutos o hasta que la mezcla burbujee y los camarones estén justo a punto. La mezcla quedará como una sopa. Sirva sobre arroz o pasta caliente. **Se obtienen 6 porciones.**

* Se puede sustituir ¼ taza de ginger ale + 1 cucharada de jugo de limón en lugar del vino.

Platos de acompañamiento

Arroz sazonado

8 tazas de arroz blanco común
o convertido (crudo)

2 cucharadas de cebolla seca picada

8 tazas de caldo de carne o de pollo

8 tazas de agua hirviendo

½ taza de mantequilla o margarina,
derretida

Saque la asadera de inserción del horno asador. Precaliente el horno a 350°F. Coloque todos los ingredientes en la asadera de inserción. Revuelva para mezclar. Coloque la asadera de inserción en el horno asador. Cubra y cocine por 1½ horas. **Se obtienen 30 porciones.**

Papas al horno

10 libras de papas para hornear

Lave y frote las papas. Perfore todas las papas varias veces. Apílelas en el horno asador de manera que no toquen los lados de la asadera de inserción. Cocine a 400°F por 1 hora o hasta que estén listas. Verifique que estén listas pinchando con un tenedor.

Frijoles al horno estilo sureño

- | | |
|---|-----------------------------------|
| 1 libra de carne picada magra | $\frac{3}{4}$ taza de catsup |
| 1 sobre de mezcla de sopa de cebolla deshidratada | 2 cucharadas de mostaza preparada |
| 2 latas de cerdo y frijoles de 16 onzas | 1 cucharada de vinagre |
| 1 lata de frijoles en forma de riñón de 16 onzas | |

No escurra el líquido de los frijoles. En una sartén grande, dore la carne picada hasta que esté lista. Elimine la grasa. Coloque la carne picada dorada, la mezcla de la sopa, el cerdo y los frijoles, los frijoles en forma de riñón, el catsup, la mostaza y el vinagre en una cacerola o fuente de 3 cuartos. Mezcle bien. Coloque en el horno asador y cocine a 350°F entre 35 y 45 minutos. **Se obtienen 10 porciones.**

Budín de maíz

- | | |
|---|--|
| $\frac{1}{4}$ de taza de mantequilla, derretida | $\frac{1}{2}$ cucharadita de pimienta |
| $\frac{1}{4}$ de taza de harina | 3 tazas de leche |
| 6 cucharadas de azúcar | 6 huevos |
| 2 cucharaditas de sal | 2 latas de granos de maíz enteros de 16 onzas, sin líquido |

Vierta la mantequilla en una fuente o asadera de 9x13 pulgadas. Inclíne a un lado y otro para revestir el fondo y los lados de la asadera. En un tazón pequeño combine la harina, el azúcar, la sal y la pimienta; ponga la mezcla a un lado. En un tazón grande, bata la leche y los huevos. Agregue el maíz. Espolvoree la mezcla de azúcar y harina sobre la parte superior de la mezcla del maíz, y luego revuelva para mezclar. Vierta en una asadera preparada. Coloque en el horno asador y cocine a 350°F durante 35 a 45 minutos o hasta que se haya asentado. **Se obtienen entre 10 y 12 porciones.**

Papas a la crema

- | | |
|--|--------------------------------------|
| 4 libras de papas blancas, unas 15 de tamaño mediano | $1\frac{1}{2}$ cucharilla de sal |
| 3 tazas de leche/crema (mitad y mitad) | $\frac{1}{4}$ cucharilla de pimienta |
| 3 cucharadas de cebolla finamente picada | 4 cucharadas de mantequilla |

Lave las papas pero no las pele. Colóquelas en una cacerola grande y cúbralas con agua. Póngalas al calor alto y haga que hiervan. Reduzca el calor y cocine a fuego lento hasta que estén listas, unos 45 minutos. Refrigere durante la noche. Ralle las papas. No es necesario pelarlas. Coloque las papas ralladas, la mitad de leche y crema, la cebolla, sal y pimienta en un tazón grande y revuelva para mezclar. Coloque mantequilla en una fuente de 9x13 pulgadas y gire la fuente para revestirla. Ponga la mezcla de papas con una cuchara. Coloque en el horno asador y cocine a 375°F por 1 hora. **Se obtienen 10 porciones.**

Pan de maíz con cebolla y queso Cheddar

¼ taza de mantequilla	1 taza de leche
1½ tazas de cebolla cortada	2 paquetes de mezcla para muffins de maíz de 8 onzas
1 envase de crema agria de 8 onzas	1 lata de maíz cremoso de 15 onzas
1½ tazas de queso Cheddar rallado, divididas	3 gotas de salsa de pimientos picantes
2 huevos	

En una sartén sobre calor medio alto, haga saltar las cebollas en mantequilla hasta que estén blandas. Transfiera a un tazón de tamaño mediano y deje que se enfríe. Mezcle la crema agria y 1 taza de queso Cheddar. Póngalo a un lado.

En otro tazón, bata los huevos. Luego agregue la leche, la mezcla para muffins, el maíz cremoso, y la salsa de pimienta. Revuelva hasta que esté mezclado. Esparza la masa de muffins en una asadera aceitada de 9 x 13 pulgadas. Ponga la mezcla de crema agria con una cuchara sobre la parte superior de la masa. Espolvoree el resto del queso Cheddar sobre todo. Coloque en el horno asador y cocine a 425°F por 30 a 35 minutos. Deje que se asiente por 5 minutos antes de cortar.

Postres

Galletas de jengibre con salsa de limón

Galleta de jengibre

½ taza de mantequilla, blanda	½ cucharadita de bicarbonato de soda
1 taza de azúcar morena	⅛ cucharadita de sal
2 huevos	1 cucharada de jengibre molido
1 taza de leche	¼ cucharadita de canela
1 taza de melaza	¼ cucharadita de clavo
2½ tazas de harina	¼ cucharadita de nuez moscada

Aceite una asadera de 9x13 pulgadas. En un tazón grande, bata la mantequilla y el azúcar hasta que estén cremosos. Agregue los huevos y mezcle bien. Agregue la leche y la melaza y mezcle bien. Agregue la harina, el bicarbonato de soda, la sal, el jengibre, la canela, el clavo de olor y la nuez moscada. Bata bien. Vierta la masa en una asadera aceitada. Coloque en el horno asador y cocine por 35 a 40 minutos a 350°F hasta que la galleta de jengibre comience a separarse ligeramente de los costados de la asadera.

Salsa de limón

2 cucharadas de almidón de maíz	1 taza de agua caliente
½ taza de azúcar	2 cucharadas de mantequilla
⅛ cucharadita de sal	Jugo y cáscara rallada de un limón

En una cacerola de tamaño mediano, combine el almidón de maíz, el azúcar y la sal. Vierta el agua caliente y mezcle. Cocine sobre calor medio alto, agitando constantemente hasta que la mezcla hierva y se espese un poco. Vierta la mantequilla, el jugo de limón y la cáscara de limón rallada, mezclando bien hasta que la mantequilla se haya derretido. Sirva caliente o fría sobre la galleta de jengibre. **Se obtienen 1½ tazas.**

Cuadrados de limón

1 taza de mantequilla	½ taza de harina
½ taza de azúcar	1 cucharadita de polvo de hornear
2 tazas de harina	4 cucharadas de jugo de limón
4 huevos	2 cucharadas de jugo de lima
2 tazas de azúcar	Ralladura de 1 limón (parte amarilla de la cáscara)
½ cucharadita de vainilla	

Coloque la mantequilla y el azúcar en un tazón y bata hasta que se hayan mezclado. Agregue harina y mezcle hasta que esté bien combinada y desmenuzada. Presione la mezcla en el fondo de una asadera de 9x13 pulgadas. Coloque en el horno asador y cocine a 350°F por 20 minutos o hasta que los bordes estén dorados. Mientras tanto, en el mismo tazón (no es necesario lavarlo), bata los huevos. Lentamente agregue el azúcar y luego la vainilla, harina, polvo de hornear, jugos y ralladura. Cuando la corteza esté lista, vierta la mezcla de los huevos sobre la corteza. Devuelva al horno y cocine otros 20 a 25 minutos o hasta que se asiente. Deje enfriar en la asadera y luego corte en cuadrados.

El Pastel de Queso Perfecto

Se necesita una asadera de fondo desmontable para esto, pero es fácil de hacer pasteles de queso. El horno asador cocina el pastel de queso con un calor delicado rodeándolo de agua como lo hacen los profesionales.

Mantequilla	1½ tazas de azúcar
½ taza de galleta integral rallada	5 huevos
6 paquetes de queso crema de 8 onzas a temperatura ambiente	1 cucharadita de vainilla
	1 cucharada de jugo de limón

Enmantequille generosamente el fondo y los lados de la asadera de 9½ pulgadas con fondo desmontable. Espolvoree la galleta rallada en forma uniforme sobre el fondo de la asadera. En un tazón grande bata el queso crema hasta que quede uniforme. Agregue azúcar y continúe batiendo hasta que quede uniforme. Agregue los huevos batiendo bien después de cada adición. Revuelva la vainilla y el jugo de limón. Vierta en la asadera con fondo desmontable preparada. Cubra la asadera con papel de aluminio. (Esto evita que la condensación en el asador caiga sobre el pastel). Vierta 3 cuartos de agua caliente en la asadera de inserción. Coloque la asadera con fondo desmontable en la rejilla y póngala en el horno. Cubra y cocine a 325°F por 1½ horas. Saque con cuidado y deje enfriar, luego refrigere bien antes de servir. **Se obtienen entre 16 y 20 porciones.**

Pastel de manzanas de cosecha

1 taza de azúcar	1 cucharadita de bicarbonato de soda
1 taza de azúcar morena clara	1 cucharadita de sal
1½ tazas de aceite vegetal	½ cucharadita de canela
3 huevos	½ cucharadita de nuez moscada
2 cucharaditas de extracto de vainilla	2 tazas de manzanas cortadas fino
3 tazas de harina	1 taza de nueces picadas

Precale el horno asador a 325°F. En un tazón grande bata los azúcares, el aceite, los huevos y la vainilla. Agregue harina, soda, sal, canela y nuez moscada. Mezcle bien hasta que se hayan combinado. Vierta y revuelva las manzanas y las nueces. Vierta en una tortera con tubo o tipo Bundt aceitada para 10-12 tazas. Coloque en el horno asador y cocine por 1 hora o hasta que si se introduce un palillo de dientes en el centro, va a salir limpio. Deje enfriar en la asadera por 5 minutos y luego invierta sobre una rejilla para galletas hasta que se enfríe.

Pastel de Suflé de Moca

6 onzas de chocolate semi-dulce para hornear	1 taza de mantequilla
2 onzas de chocolate sin azúcar para hornear	1 cucharada de café instantáneo
0	8 huevos, separados
8 onzas de chocolate amargo	¼ cucharadita de sal
	1 taza de azúcar
	1 cucharadita de vainilla

En un hervidor doble o en una cacerola pesada sobre calor bajo, derrita el chocolate, la manteca y el café instantáneo. Póngalos a un lado. En un tazón, bata las claras de huevo y la sal hasta que las claras hagan picos sin estar demasiado duras. Póngalas a un lado. En un tazón bata las yemas de huevo. Agregue un poco del chocolate derretido a las yemas, y luego, batiendo rápido, agregue el resto del chocolate a las yemas. Revuelva el azúcar y la vainilla. Agregue unas cucharadas grandes de claras de huevo al chocolate y envuelva bien. Agregue el resto de las claras y envuelva hasta que estén bien mezcladas. Enmantequille generosamente una tortera Bundt o con tubo de 10 pulgadas. Cubra con azúcar. Vierta la mezcla de chocolate. Coloque en el horno asador y cocine a 300°F por 2 horas. El pastel se levantará y luego bajará durante el horneado. Sáquelo del horno y déjelo en la asadera 5 minutos. Invierta sobre una fuente para servir. Es mejor si se sirve caliente con crema batida o helado.

Comidas para el desayuno

Huevos horneados

1½ tazas de leche	½ cucharadita de pimienta
3 docenas de huevos	¼ taza de manteca derretida
1 cucharadita de sal	

En un tazón grande, bata la leche, los huevos, la sal y pimienta con una batidora. Vierta la manteca derretida en una asadera de 9x13 pulgadas e incline la asadera de un lado a otro para cubrir el fondo y los lados. Vierta la mezcla de huevos en la asadera. Coloque en el horno asador y cocine los huevos a 400°F por 30 minutos, revolviendo y raspando los lados de la asadera con un espátula de caucho cada 10 minutos para asegurar una cocción uniforme. **Se obtienen 15 porciones**

Panecillos pegajosos de una noche

⅔ de taza de nueces picadas fino	¼ taza de manteca, derretida
1 bolsa de 1 libra, 9 onzas de masa congelada para panecillos	½ taza de azúcar morena
4 cucharadas + 1 cucharadita de mezcla de postre de cocinar y servir, sabor caramelo (½ de una caja de 3.5 onzas)	1 cucharadita de canela

Aceite una tortera Bundt o con tubo de 10 pulgadas. Espolvoree las nueces en el fondo de la asadera. Coloque los panecillos congelados en la asadera. Espolvoree con la mezcla del postre. Vierta la manteca derretida sobre los panecillos. Combine el azúcar morena y la canela y espolvoree sobre los panecillos. Cubra con papel de cera y deje que se asienten a temperatura ambiente toda la noche. Por la mañana, saque el papel de cera, coloque en el horno asador y cocine a 350°F por 20 a 30 minutos. Saque del horno e inmediatamente coloque una fuente en la parte superior de la asadera. Use guantes para horno e invierta la asadera para sacar los panecillos pegajosos.

Asistencia al Cliente

Si desea hacer un reclamo bajo esta garantía, sírvase llamar a nuestro Número de Asistencia al Cliente. Para un servicio más rápido es importante que tenga el modelo, la serie y los números del tipo listos para que el operador lo pueda ayudar. Estos números se pueden encontrar en la parte inferior de su horno asador.

MODELO: _____ **TIPO:** _____ **SERIE:** _____

Número de Asistencia al Cliente: 1-877-207-0923

¡Guarde este número para referencia futura!

Solicitud de información por e-mail: www.gehousewares.com

Garantía Limitada de Dos Años

¿Qué cubre su garantía?

- Todo defecto de material o mano de obra.

¿Por cuánto tiempo después de la compra inicial?

- Dos años.

¿Qué haremos?

- Le suministraremos una unidad nueva.

¿Cómo hacer un reclamo bajo garantía?

- Guarde su recibo.
- Empaque su unidad debidamente. Recomendamos usar la caja y los materiales de empaque originales.
- Devuelva el producto a su tienda WAL*MART más cercana o llame al Número de Asistencia al Cliente al 1-877-207-0923.

¿Qué es lo que la garantía no cubre?

- Partes de vidrio, envases de vidrio, cortador/colador, cuchillas y/o agitadores.
- Uso comercial o cualquier otro uso que no se encuentre en las instrucciones impresas.
- Daños debido al mal uso, abuso, o negligencia.
- Productos comprados o reparados fuera de los Estados Unidos.

¿Cuál es la relación entre las leyes estatales y esta garantía?

- Esta garantía le otorga derechos legales específicos, y es posible que usted también tenga otros derechos que varían de un estado a otro.
- WAL*MART expresamente niega toda responsabilidad por daños consecuentes o pérdidas incidentales causadas por el uso de este aparato. Ciertos estados no permiten esta exclusión o limitación de pérdidas incidentales o consecuentes de manera que es posible que el descargo de responsabilidad que antecede no corresponda en su caso.

¿Qué sucede si usted adquirió su producto en los Estados Unidos, Canadá o México y encuentra un problema cuando lo está usando fuera del país de compra?

- La garantía es válida solamente en el país de compra y si usted sigue el procedimiento de reclamo bajo garantía que se indica.



es una marca de comercio
de General Electric Company
usada bajo licencia por
WAL*MART Stores, Inc.
Bentonville, AR 72716

WAL*MART Stores, Inc.
Bentonville, AR 72716

840081100

16

7/01